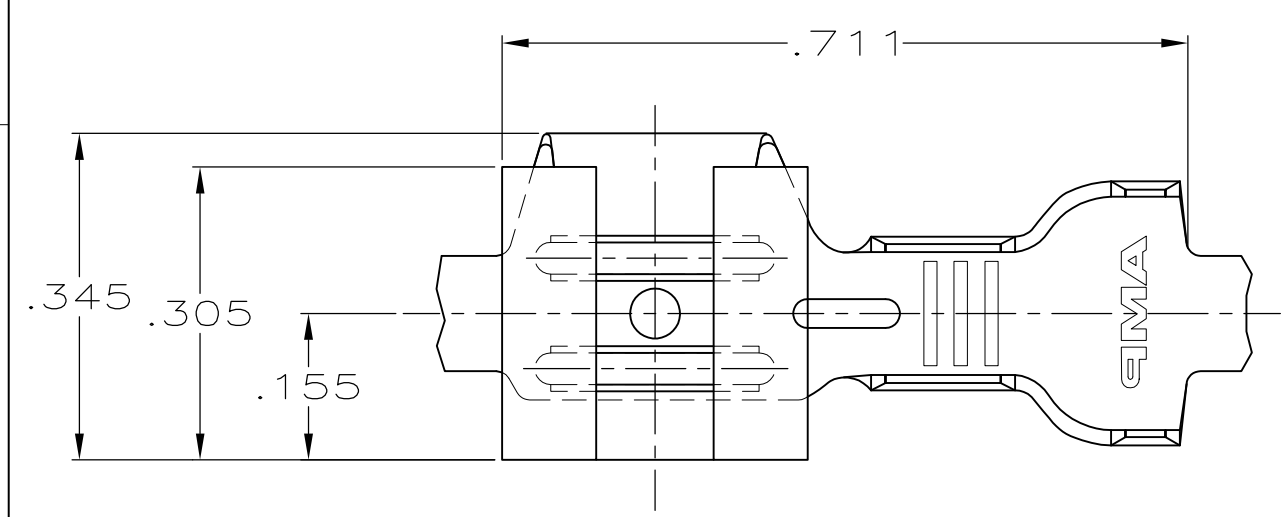
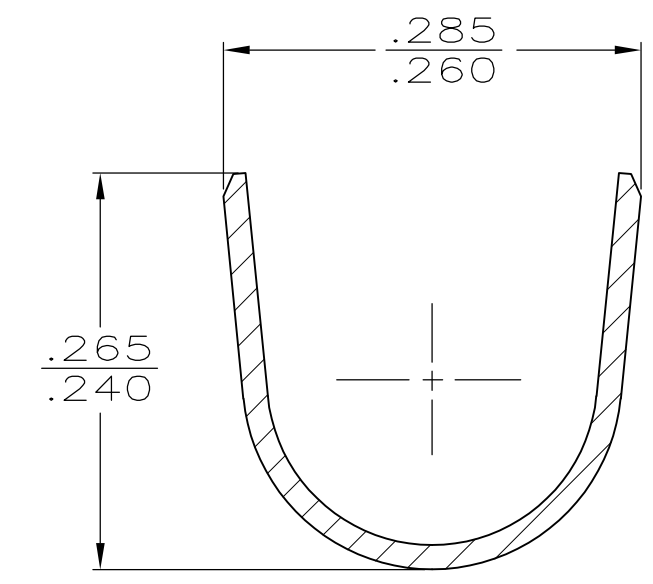
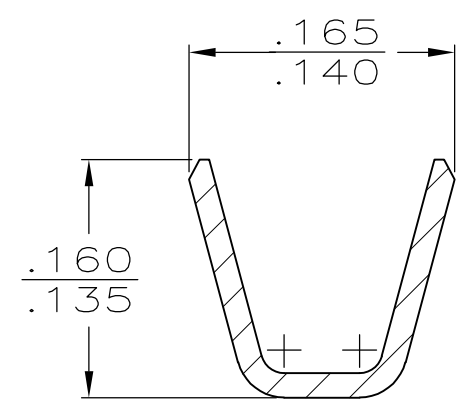
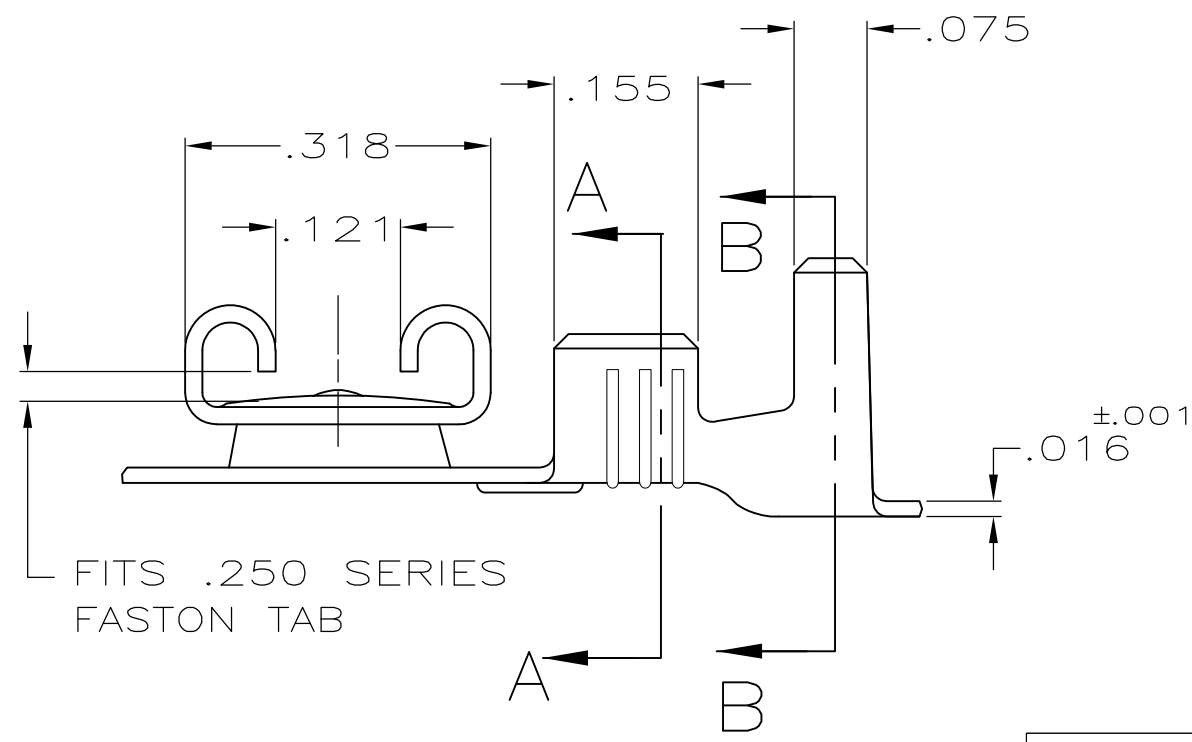


THIS DRAWING IS UNPUBLISHED. RELEASED FOR PUBLICATION
 © COPYRIGHT - By - ALL RIGHTS RESERVED.

LOC	DIST	REVISIONS					
AF	50	P	LTR	DESCRIPTION	DATE	DWN	APVD
		K		REVISED PER ECR-12-013459	28NOV2012	KH	PD



1 CONTINUOUS STRIP ON REELS.



OBSOLETE	TIN	.170-.220	18-14	.032	60764-2
	-	.170-.220	18-14	.032	60764-1
	FINISH	INSUL RANGE	WIRE SIZE	MATING TAB THK ±.001	PART NO

THIS DRAWING IS A CONTROLLED DOCUMENT.		DWN JR RUTH 2/28/90	TE Connectivity RECEPTACLE, FASTON, FLAG,™ REVERSIBLE, .250 SERIES		
DIMENSIONS: INCHES	TOLERANCES UNLESS OTHERWISE SPECIFIED:	CHK MS FEHER 2/28/90			
	0 PLC ± -	APVD C MEYERS 2/28/90	NAME		
	1 PLC ± -	PRODUCT SPEC	-		
MATERIAL BRASS	2 PLC ± -	APPLICATION SPEC	SIZE	CAGE CODE	DRAWING NO
	3 PLC ± .015	FINISH	114-2032		A300779 C-60764
4 PLC ± -	SEE TABLE	WEIGHT	-		RESTRICTED TO
ANGLES ± -		CUSTOMER DRAWING		SCALE 5:1	SHEET 1 OF 1
				REV K	